

## FUHR ELECTRIC STRIKES



„We greatly appreciate these systematic solutions – all from one single provider”





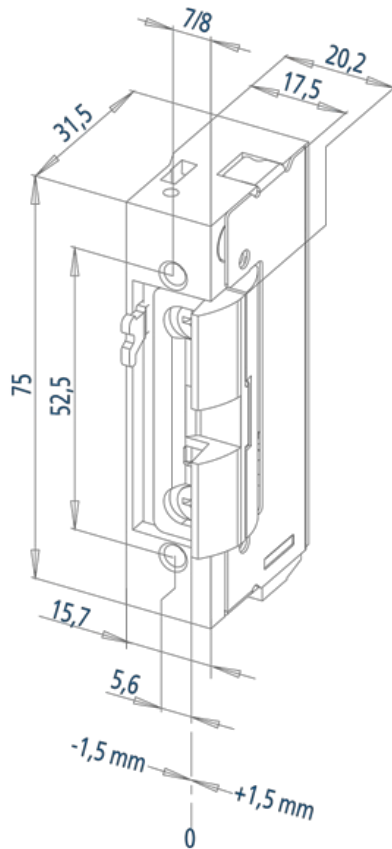
## Standard version

- Symmetrical design with radius latch section
- Non-handed use
- Fail-secure and fail-safe design
- Universal voltage range: 12-24 V AC/DC
- 7 mm screw hole position for aluminium, steel and timber doors
- 8 mm screw hole position for uPVC doors
- Latch section adjustable by +/- 1,5 mm
- Also available as mechanical version



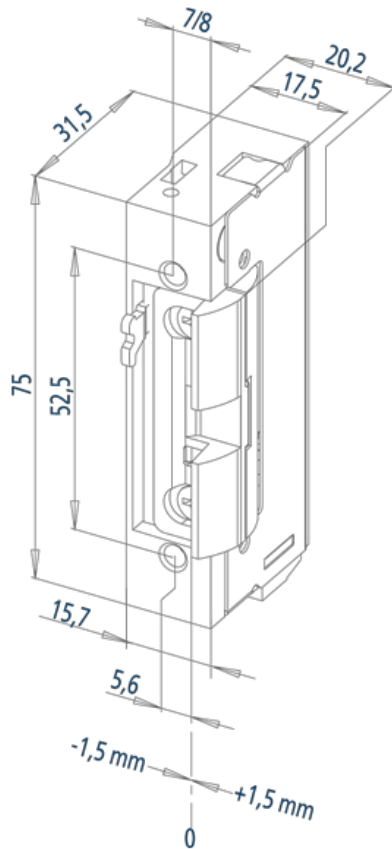
## Optional versions

- Mechanical release lever
- Strong spring
- Reporting contact (connection type: spring clamp), e.g. for access control systems
- Hold-open function – enables delayed door opening
- Freewheeling diode for protection against inductive overvoltage
- Profile-specific latch slides
- Exchange latch parts für lower or higher contact pressure
- Opening via radio with the optional radio receiver for electric strikes
- Other versions on request



## Technical details | Fail-secure design 10-24 V

- Voltage
  - 10-24 V AC/DC (42 Ohm)
  - 11-13 V DC with 100 % duty cycle
- AC current consumption
  - 213 mA at 10 V
  - 255 mA at 12 V
  - 510 mA at 24 V
- DC current consumption
  - 238 mA at 10 V
  - 286 mA at 12 V
  - 571 mA at 24 V
- Latch preload AC
  - max. 200 N
- Latch preload DC
  - max. 50 N
- Temperature range: -15° C to +40° C
- Mounting position: vertical and horizontal
- Continuous function: 200,000 load cycles (in-house)



## Technical details | Fail-safe design 12 or 24 V

- Voltage
  - 12 V DC with 100 % duty cycle (48 Ohm)
  - 24 V DC with 100 % duty cycle (158 Ohm)
- DC current consumption
  - 250 mA at 12 V
  - 150 mA at 24 V
- Latch preload DC
  - max. 50 N
- Temperature range: -15° C to +40° C
- Mounting position: vertical and horizontal
- Continuous function: 200,000 load cycles (in-house)



## Numerous Benefits

- ✓ With radius latch and unique latch section
- ✓ No time-consuming milling work thanks to radius latch part
- ✓ Tightness and door optics not negatively affected
- ✓ Non-handed use due to the symmetrical design
- ✓ Universal voltage range: 12-24 V AC/DC
- ✓ Simple and efficient to fit
- ✓ Can be used even in the narrowest strike plates – only 15.7 mm wide
- ✓ Perfectly designed for FUHR strike plates and for every application
- ✓ Investment-cast steel latch section or latch section for latch slide for a long life
- ✓ Mechanical versions also available
- ✓ Wide range of designs: for aluminium, steel, timber and uPVC profiles, as well as for inward and outward opening doors
- ✓ Convenient activation via radio with the optional radio receiver for electric strikes



## Latch slides

- For usage with FUHR electric strikes
- Profile-specific versions available
- For inward and outward opening doors
- Universal latch slide for outward opening doors



## Radio receiver for electric strikes

- Opens doors fitted with electric strikes remotely via radio signal
- Works with door strikes in the FUHR e-motion series and all other standard door strikes
- Compatible with FUHR access control systems
- Can be paired with 25 user keys/transmitters
- Supplied with radio master key, uses highly secure rolling-code technology
- Compact design featuring stylish, slim, stainless steel cover
- With LED indicator
- Concealed or visible installation in door frame
- Ideal for retrofitting
- Voltage supply: 8-14 V AC or 8-24 V DC
- Duration of opening pulse: 5 seconds